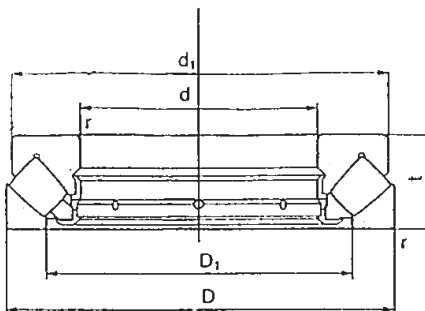


Spherical Roller Thrust Bearings

29300 Series



Ball / Roller Bearing

Bearing Number	Dimensions (mm)						Basic Load Ratings (N)		Limiting Speeds (rev/min) Oil	Weight kg
	d	D	t	d ₁	D ₁	r (min)	Cr	Cor		
29317M	85	150	39	134.0	110.5	1.5	345000	1060000	3400	2.53
29318M	90	155	39	135.2	116.0	1.5	355000	1100000	3400	2.64
29320M	100	170	42	146.9	126.0	1.5	415000	1370000	3000	3.37
29322M	110	190	48	165.1	140.6	2.0	530000	1700000	2600	5.03
29324M	120	210	54	184.5	155.0	2.1	640000	2080000	2400	6.89
29326M	130	225	58	205.0	169.0	2.1	720000	2360000	2200	8.48
29328M	140	240	60	220.0	181.0	2.1	800000	2700000	2100	9.86
29330M	150	250	60	230.0	192.0	2.1	815000	2850000	2000	10.48

Spherical Roller Thrust Bearings

29400 Series

Bearing Number	Dimensions (mm)						Basic Load Ratings (N)		Limiting Speeds (rev/min) Oil	Weight kg
	d	D	t	d ₁	D ₁	r (min)	Cr	Cor		
29412M	60	130	42	113.0	87.0	1.5	283000	805000	2600	2.78
29413M	65	140	45	123.0	93.5	2.0	330000	945000	2400	3.44
29414M	70	150	48	128.3	98.4	2.0	365000	1040000	2200	4.19
29415M	75	160	51	140.0	105.6	2.0	415000	1190000	2100	5.07
29416M	80	170	54	149.0	113.0	2.1	460000	1380000	1900	6.09
29417M	85	180	58	158.2	120.5	2.1	490000	1480000	1800	7.20
29418M	90	190	60	162.0	127.0	2.1	545000	1680000	1700	8.38
29420M	100	210	67	181.0	139.0	3.0	685000	2130000	1500	11.50
29422M	110	230	73	199.6	153.4	3.0	845000	2620000	1400	15.00
9424M	120	250	78	218.0	166.5	4.0	975000	3050000	1350	18.60
29426M	130	270	85	236.4	181.0	4.0	1080000	3550000	1250	23.70
29428M	140	280	85	246.0	196.0	4.0	1110000	3750000	1200	25.20
29430M	150	300	90	270.0	211.0	4.0	1400000	4700000	1170	27.00